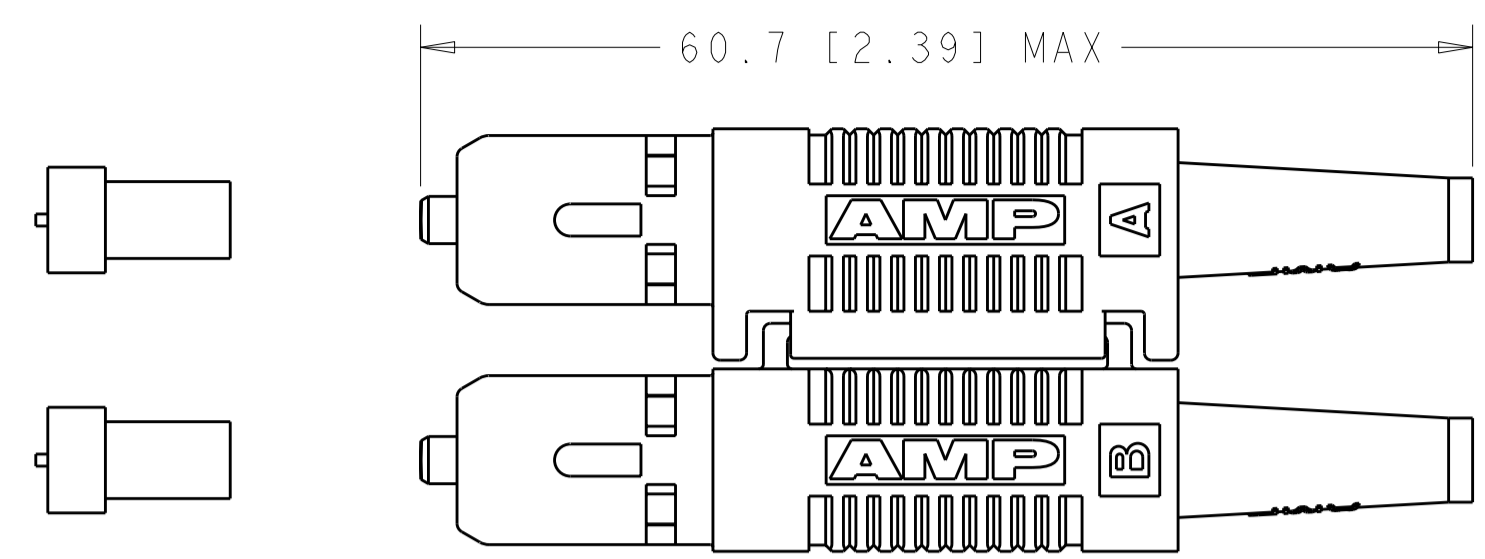


THIS DRAWING IS UNPUBLISHED. RELEASED FOR PUBLICATION 20  
 © COPYRIGHT 20 BY TYCO ELECTRONICS CORPORATION. ALL RIGHTS RESERVED.

| LOC | DIST | REVISIONS   |                   |           |       |
|-----|------|-------------|-------------------|-----------|-------|
| P   | LTR  | DESCRIPTION | DATE              | DWN       | APVD  |
| CE  | 00   | A           | RELEASE TO ACTIVE | 08JUN2006 | BB LS |



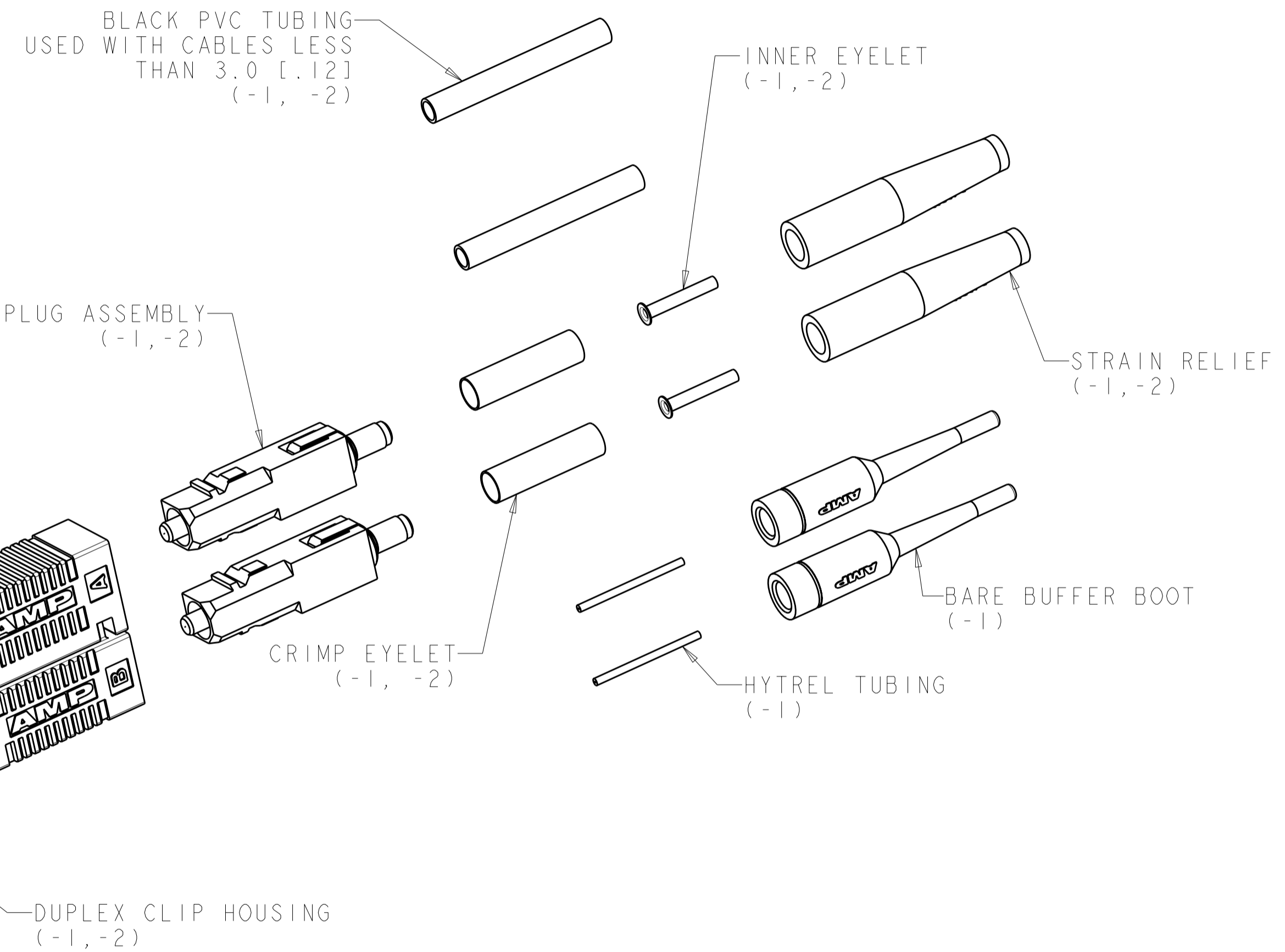
1 MATERIAL:  
 CONNECTOR HOUSING: POLYESTER PBT, COLOR: BEIGE  
 PLUG ASSEMBLY:  
 PLUG BODY: PAS, COLOR: BEIGE\*  
 INTERNAL BODY: BRASS, NICKEL PLATED  
 INTERNAL COMPONENTS: RUBBER, COLOR: BLACK  
 FERRULE: CERAMIC  
 FERRULE BASE: ALUMINUM ALLOY  
 PLUNGER: ALUMINUM ALLOY  
 SPRING: STAINLESS STEEL  
 FRONT PROTECTIVE COVER: LDPE, COLOR: BLACK  
 REAR PROTECTIVE COVER: VINYL, COLOR: RED  
 CRIMP EYELET: COPPER, TIN PLATED  
 INNER EYELET: BRASS  
 POLYMER TUBING: TYGON, COLOR: CLEAR  
 HYTREL, COLOR: WHITE  
 STRAIN RELIEF/BOOT: POLYOLEFIN ELASTOMER, COLOR: BEIGE\*  
 \*UL94 V-0 RATED AT QUALIFYING THICKNESS.

2 KIT 5503693-1 CONTAINS ALL PARTS SHOWN AND WILL TERMINATE:  
 900um TIGHT BUFFERED FIBER  
 250um COATED FIBER  
 2.5-3.0mm JACKETED CABLE

THE BARE BUFFER BOOTS AND STRAIN RELIEFS ARE BEIGE.  
 FOR 250um AND 900um APPLICATIONS TERMINATION MAY REQUIRE USE OF INSERTION TOOL, PART NUMBER 491042-1.  
 PROTECTIVE COVER (-1, -2)

3 KIT 503693-2 DOES NOT CONTAIN BARE BUFFER BOOTS OR HYTREL TUBING. WILL TERMINATE 2.5-3.0mm JACKETED CABLE. CONTAINS ONE BEIGE AND ONE BLUE STRAIN RELIEF.

4. ANY JACKETED CABLE USED WITH SC CONNECTORS MUST ALLOW FOR THE AXIAL MOVEMENT OF THE BUFFERED FIBER IN THE CABLE JACKET WHICH OCCURS WHEN AN SC CONNECTOR IS MATED TO ANOTHER CONNECTOR OR DEVICE. CERTAIN CABLE CONSTRUCTIONS DO NOT ALLOW AXIAL MOVEMENT AND ARE NOT SUITABLE FOR USE WITH SC CONNECTORS. REFER TO INSPECTION SPECIFICATION 129-1496 FOR A METHOD OF DETERMINING WHETHER A GIVEN CABLE CONSTRUCTION ALLOWS AXIAL MOVEMENT (RESULT OF THE BUFFER PULL TEST SHOULD MEASURE LESS THAN 2 LBF).



| FIBER SIZE | PART NUMBER |
|------------|-------------|
| 125±2um    | 5503693-2   |
| 125±2um    | 5503693-1   |

|   |  |                                    |  |                        |
|---|--|------------------------------------|--|------------------------|
| THIS DRAWING IS A CONTROLLED DOCUMENT FOR TYCO ELECTRONICS CORPORATION. IT IS SUBJECT TO CHANGE AND THE CONTROLLING ENGINEERING ORGANIZATION SHOULD BE CONTACTED FOR THE LATEST REVISION. |  | DWN<br>B. BRIGGS<br>21 JUN 2005    | tyco<br>Electronics<br>Tyco Electronics<br>Harrisburg, PA 17105-3608 |                        |
| DIMENSIONS:<br>mm [INCHES]  |  | CHK<br>L. SAUERWEIN<br>21 JUN 2005 | NAME<br>KIT, CONNECTOR, AMP LightCrimp SC<br>DUPLEX, MULTIMODE       |                        |
| TOLERANCES UNLESS OTHERWISE SPECIFIED:<br>0 PLC ±<br>1 PLC ±<br>2 PLC ±0.13 [.005]<br>3 PLC ±<br>4 PLC ±<br>ANGLES ±<br>FINISH  |  | APVD<br>S. BUCHTER<br>21 JUN 2005  | RESTRICTED TO  |                        |
| MATERIAL  |  | PRODUCT SPEC                       | SIZE<br>A200779  | CAGE CODE<br>C-5503693 |
| DRAWING NO  |  | APPLICATION SPEC                   | SCALE 5:2 SHEET 1 OF 1 REV A   |                        |
| CUSTOMER DRAWING  |  | WEIGHT                             |  |                        |